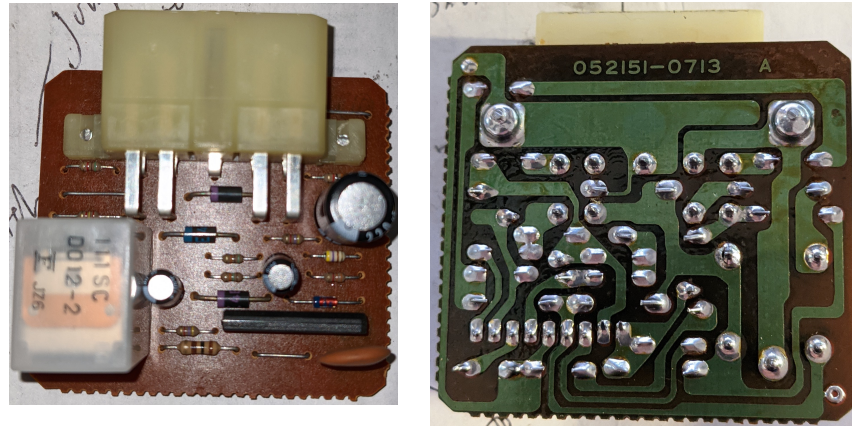
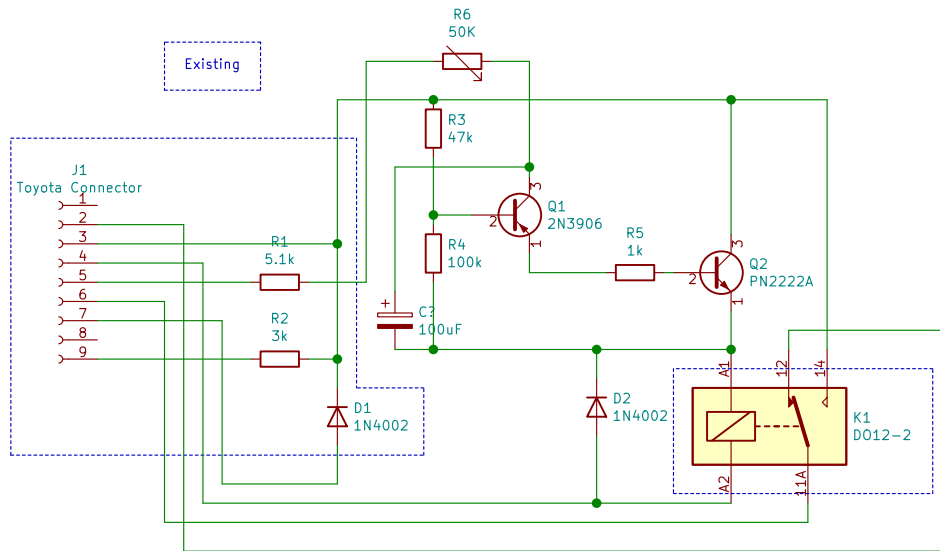


OEM Components (before modification)

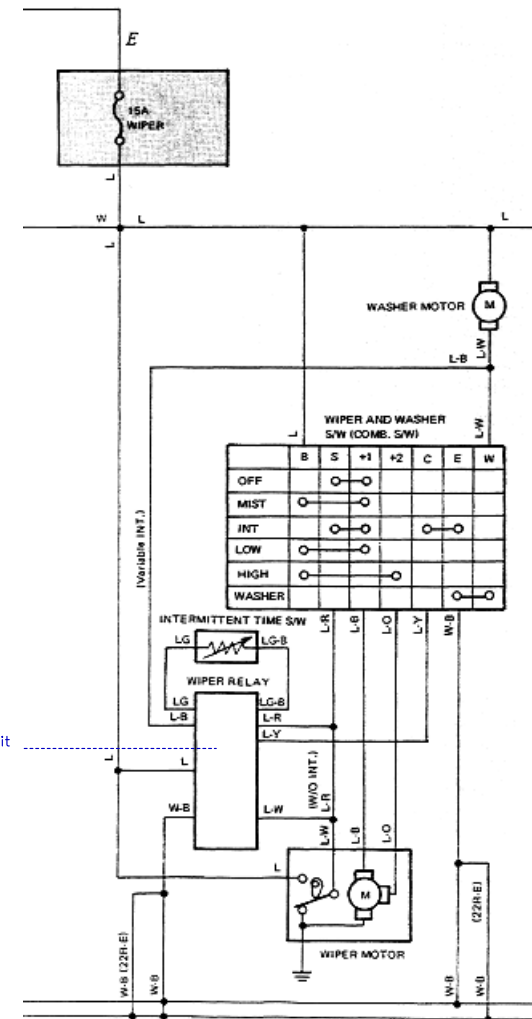


Existing



- 1 (L-B): washer
- 2 (L-W): motor cam
- 3 (L): 12V
- 4 (L-Y): switch, GND when INT active
- 5 (LG): INT pot
- 6 (L-R): motor slow winding (when INT)
- 7 (W-B): GND
- 8: NC
- 9 (LG-B): INT pot

System schematic



This circuit

Dave Deaven

**Zeuskatsi**

Sheet: /

File: PCB052151-0713.sch

**Title: Toyota Wiper Relay Replacement**

Size: A4 Date: 2021-10-04

KiCad E.D.A. kicad 5.1.8-5.1.8

Rev: A

Id: 1/1